

# VISOR FF

LWIP Thermal Camera

60  
mK

640/480  
Resolution

30  
FPS

ITAR  
free

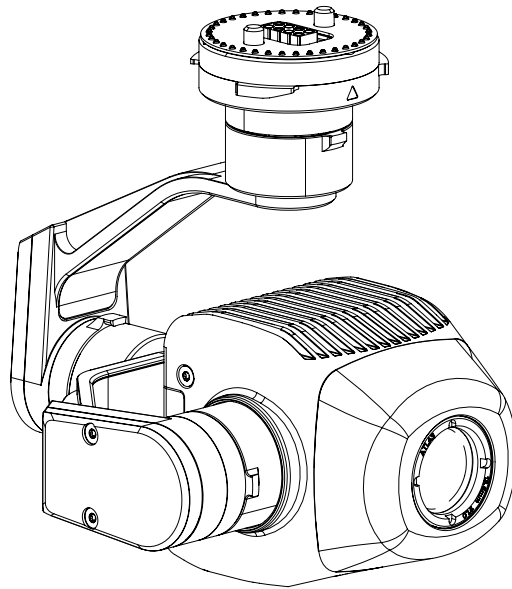
Made in  
EU



# SPECIFICATIONS

www.atlasuas.com

## VISOR FF - LWIR Thermal Imaging Camera



<b>Dimensions:</b>	93 x 73 x 99 mm / 3.7" x 2.9" x 3.9"
<b>Lens:</b>	13 mm <i>f</i> /1.0
<b>Field of View:</b>	32° (H) x 24° (V)
<b>Digital Zoom:</b>	10X
<b>Max. Video Resolution:</b>	640(H)x480(V)
<b>Max. Photo Resolution:</b>	640(H)x480(V)
<b>Video Framerate:</b>	30 fps
<b>Noise Equivalent Temperature Difference (NETD):</b>	60 mK
<b>Spectral Range:</b>	LWIR, wavelength: 8-14 $\mu$ m
<b>Encryption:</b>	AES-256
<b>Metadata Fields:</b>	<ul style="list-style-type: none"><li>• Image sensor GPS coordinates and direction</li><li>• Image sensor altitude and angle</li><li>• Date and time</li><li>• Others</li></ul>
<b>Snapshots:</b>	JPEG
<b>Color Palettes:</b>	White-hot, Back-hot, Rainbow, Others
<b>Live Stream:</b>	h.264 encoded video via RTSP/RTP, MPEG2-TS
<b>Live Stream Metadata:</b>	STANAG 4609 for MPEG2-TS
<b>Recording:</b>	TFLC (proprietary format, supported by Atlas Thermal Player), includes metadata
<b>Operation Environment:</b>	-40°C to +55°C / -4°F to +122°F
<b>Storage Environment:</b>	-40°C to +65°C / -4°F to +158°F
<b>Storage:</b>	MicroSD, max. 64GB. UHS-1
<b>Mount:</b>	Detachable
<b>Ingress Protection Rating:</b>	IP44
<b>Weight (incl. gimbal):</b>	271 g / 9.55 oz

All product specifications are subject to change without notice